




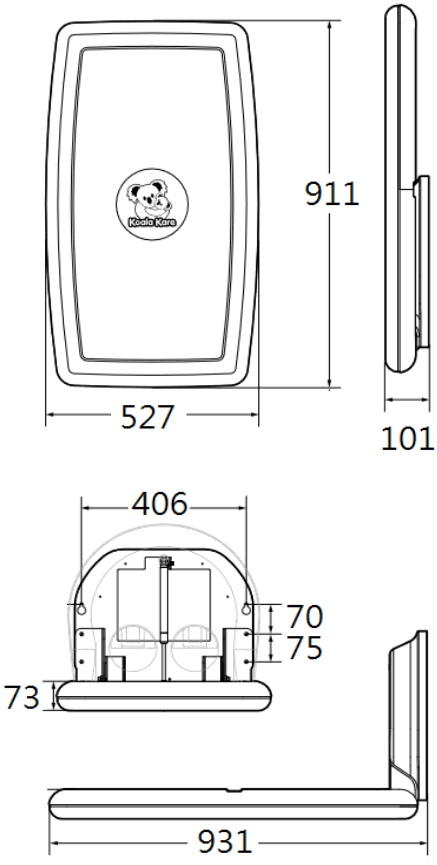


Acme Sanitary Ware Co. Ltd.

1/F, Acme Building, 22-28 Nanking Street, Kowloon, Hong Kong
 Tel: 2388 7171 Fax: 2710 8012
 Email: acme@acmesanitary.com.hk
 Website: www.acmesanitary.com.hk

PROJECT		REF		REV	ITEM CODE	
LOCATION		DATE			PAGE	

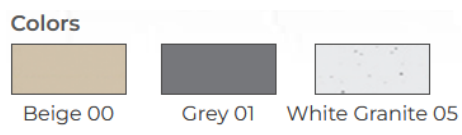
SANITARY WARE SPECIFICATION SHEET

Item Descriptions	Koala Kare (USA) Vertical surface mounted polyethylene baby changing station	Illustration/ Drawing    
Dimensions	L931 x W527 x H911 mm	
Model	KB301-00 (Beige Color) KB301-01 (Grey Color) KB301-05 (White Granite Color)	
Material	Polyethylene	
Manufacturer	Koala Kare (USA)	
Supplier	Acme Sanitary Ware Co. Ltd Mr. Eric Wong/ Mr. Don Yuen	
Contact Tel/Fax	(852) 2388-7171 / (852) 2710-8012	
E-mail	acme@acmesanitary.com.hk	
Website	www.acmesanitary.com.hk	

KB301 Vertical Surface-Mounted
 Surface-mounted vertical baby changing station is constructed of polypropylene and features a unibody steel chassis for superior strength. Available in three stunning colors with each providing a modern visual aesthetic. Thoughtful patron amenities enhance the end-user experience, and include Microban® product protection, a redesigned liner dispenser and the Koala brand mark that communicates comfort to families and the promise of a thoughtful accommodation.

The dual liner cavity has an internal spring tab that pushes liners forward while only allowing single liner dispensing. Each cavity holds 25 liners and locking mechanism minimizes operator refills and discourages potential vandalism. The product includes child protection straps. Bed surface exclusively contains Microban® antimicrobial product protection that reduces odor-causing bacteria and keeps the bed surface cleaner between cleanings. Concealed pneumatic cylinder provides controlled, slow opening and closing of the changing station bed.

This Baby Changing Station has been tested to support 200 lbs with minimal deflection. Please note: This product is designed for infants only, up to 3.5 years of age and weighing less than 50 lbs.
 ASTM and EN compliant. Meets ADA requirements when mounted properly.



Note:  [YouTube \(Instructional Video\) https://www.youtube.com/watch?v=e3LNSSbL2E8&feature=youtu.be](https://www.youtube.com/watch?v=e3LNSSbL2E8&feature=youtu.be)



Acme Sanitary Ware Co. Ltd.

1/F, Acme Building, 22-28 Nanking Street, Kowloon, Hong Kong

Tel: 2388 7171 Fax: 2710 8012

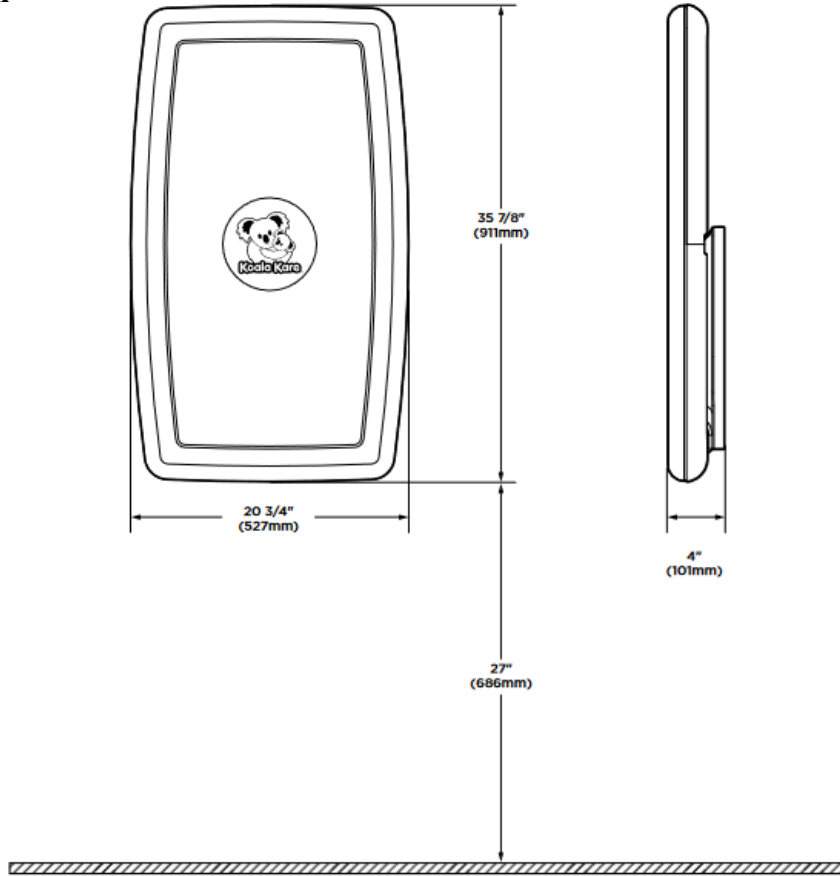
Email: acme@acmesanitary.com.hk

Website: www.acmesanitary.com.hk

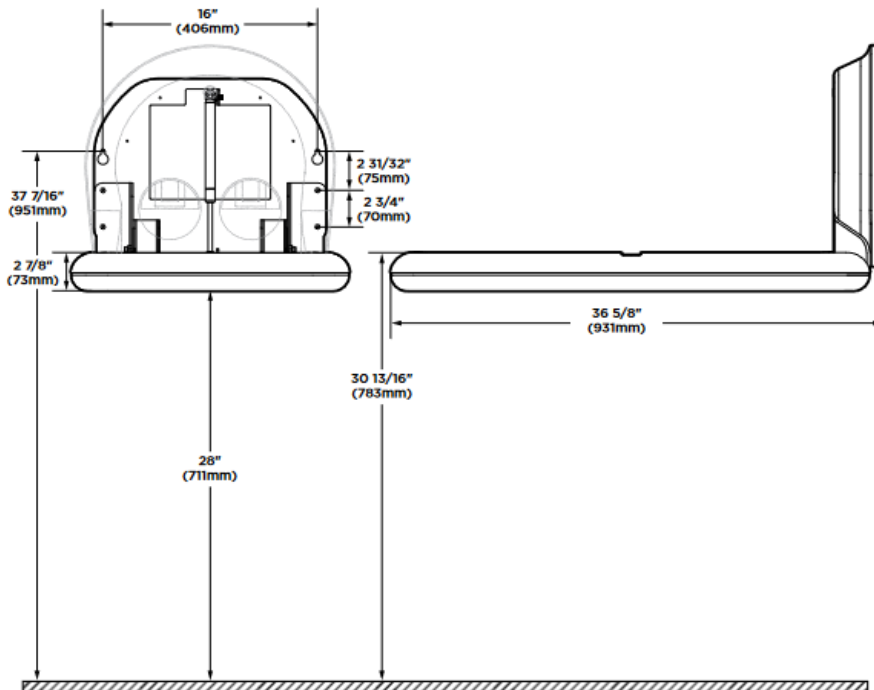
Since 1949

PROJECT		REF		REV	ITEM CODE	
LOCATION		DATE			PAGE	

Closed Position



Open Position



*Diagrams are not to scale.



Acme Sanitary Ware Co. Ltd.

1/F, Acme Building, 22-28 Nanking Street, Kowloon, Hong Kong

Tel: 2388 7171 Fax: 2710 8012

Email: acme@acmesanitary.com.hk

Website: www.acmesanitary.com.hk

Since 1949

PROJECT		REF		REV	ITEM CODE	
LOCATION		DATE			PAGE	

KB301 Color Select

KB301-00 Beige Color



KB301-01 Grey Color



KB301-05 White Granite Color



All color of the above is for the reference only.

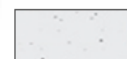
Colors



Beige 00



Grey 01



White Granite 05